

This information is given as an indication. In the continual goal to improve our products, we reserve the right to make any modifications judged necessary



RADIALL®
Microwave components

TECHNICAL DATA SHEET

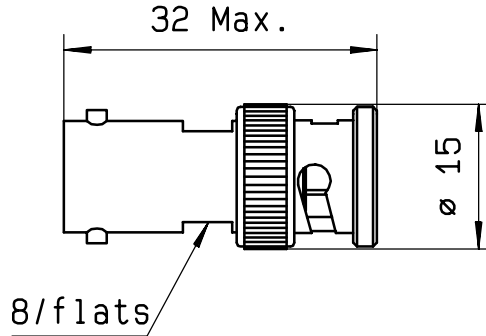
R443141000

10 W 0.01 - 3 GHz BNC DC-BLOCK

issue
21. apr. 99

Page
1 / 1

DRAWING



General tolerances: +/- 0.5 mm

R F CHARACTERISTICS

FREQUENCY RANGE : 0.01 - 3 GHz
 IMPEDANCE : 50 Ohms

FREQUENCY	0.01 - 3 GHz
V.S.W.R	<= 1.20
INSERTION LOSS	0.30 dB

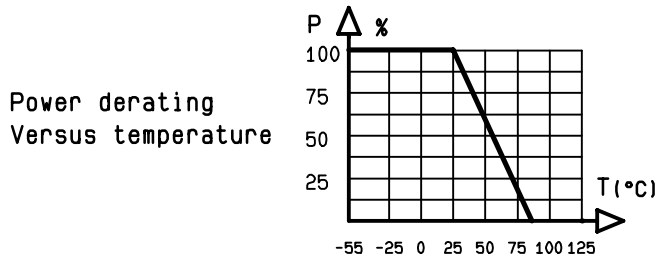
MAIN LINE MAXIMUM DC VOLTAGE : 60 V
 TYPICAL CAPACITANCE : 4700 pF
 AVERAGE POWER at 25°C : 10 W

MECHANICAL CHARACTERISTICS

CONNECTORS : BNC male/female per MIL-C 39012
 WEIGHT : < 17 g

ENVIRONMENTAL CHARACTERISTICS

OPERATING TEMPERATURE RANGE (°C) : -40 , +85
 STORAGE TEMPERATURE RANGE (°C) : -40 , +85



CREATION				
N° :				
PEN/EP:CAT				
Name:MG				
Date:09.sep.97	21.apr.99	Addition 2 flats on the body	JL	VE
APP.:AF	ISSUE	REVISIONS	NAME	APPR.

RADIALL®
 101. rue P. Hoffmann -Z.I Ouest-
 93116 ROSNY/BOIS Cedex-FRANCE
 Phone:33(1)49353535
 Fax :33(1)48546363
 Twx RADIA 235220F